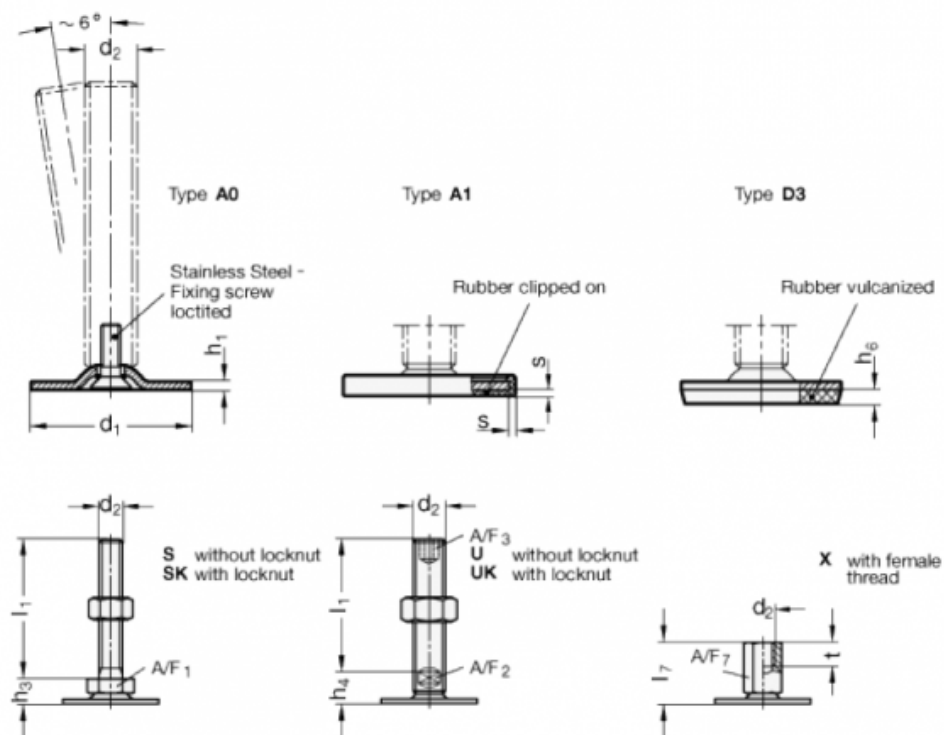


Data Sheet



Article number: 204040M1231A0X
 Description: E+G levelling foot
 GN 40-40-M12-31-A0-X
 Note: X With female thread, External hexagon

Measures



A/F7 = 17
 d1 = 40
 d2 = M12
 h1 = 2
 h6 =
 l7 = 31
 s =
 t = 12